

GALILEO

The new wall mounted fan coil unit
100% made in Italy



Product Preview

 ventilclima®

Galileo

wall mounted fan coil unit



1.3 ÷ 3.8 kW



1.5 ÷ 4.3 kW



250 ÷ 780 m³/h



100%
Made in
Italy



The best solution for those
looking for style.

A woman with long, light-colored hair is wrapped in a thick, grey wool blanket. She is looking over her shoulder towards the camera. The background is a soft, golden sunset over a landscape with rolling hills. The lighting is warm and atmospheric.

Perfect environment,
energy efficiency,
low noise operation.



low noise operation



High performance



Energy efficiency



Minimal design



reduced depth



Customizable



Plug & Play







→ 185 mm ←

A close-up, low-angle shot of a black Ventilclima air conditioning unit. The unit is sleek and modern, with a rounded top edge. The Ventilclima logo is visible on the front panel. The background is a dark, solid color, creating a minimalist aesthetic.

Ventilclima

Compact.
Solid.
Performing.

GALILEO-ECM

with high efficiency synchronous EC motor



ECM-NC



- > Manual louvers

ECM-RC



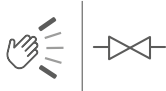
- > Motorized louvers
- > Mother board

ECM-RC-IR



- > Motorized louvers
- > Mother board
- > Infrared remote control + receiver

ECM-NC-2V



- > Manual louvers
- > 2-Way valve

ECM-RC-2V



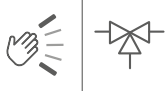
- > Motorized louvers
- > Mother board
- > 2-Way valve

ECM-RC-IR-2V



- > Motorized louvers
- > Mother board
- > Infrared remote control + receiver
- > 2-Way valve

ECM-NC-3V



- > Manual louvers
- > 3-Way valve

ECM-RC-3V



- > Motorized louvers
- > Mother board
- > 3-Way valve

ECM-RC-IR-3V



- > Motorized louvers
- > Mother board
- > Infrared remote control + receiver
- > 3-Way valve

GALILEO

with AC asynchronous motor



NC



- > Manual louvers

RC



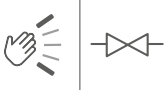
- > Motorized louvers
- > Mother board

RC-IR



- > Motorized louvers
- > Mother board
- > Infrared remote control + receiver

NC-2V



- > Manual louvers
- > 2-Way valve

RC-2V



- > Motorized louvers
- > Mother board
- > 2-Way valve

RC-IR-2V



- > Motorized louvers
- > Mother board
- > Infrared remote control + receiver
- > 2-Way valve

NC-3V



- > Manual louvers
- > 3-Way valve

RC-3V



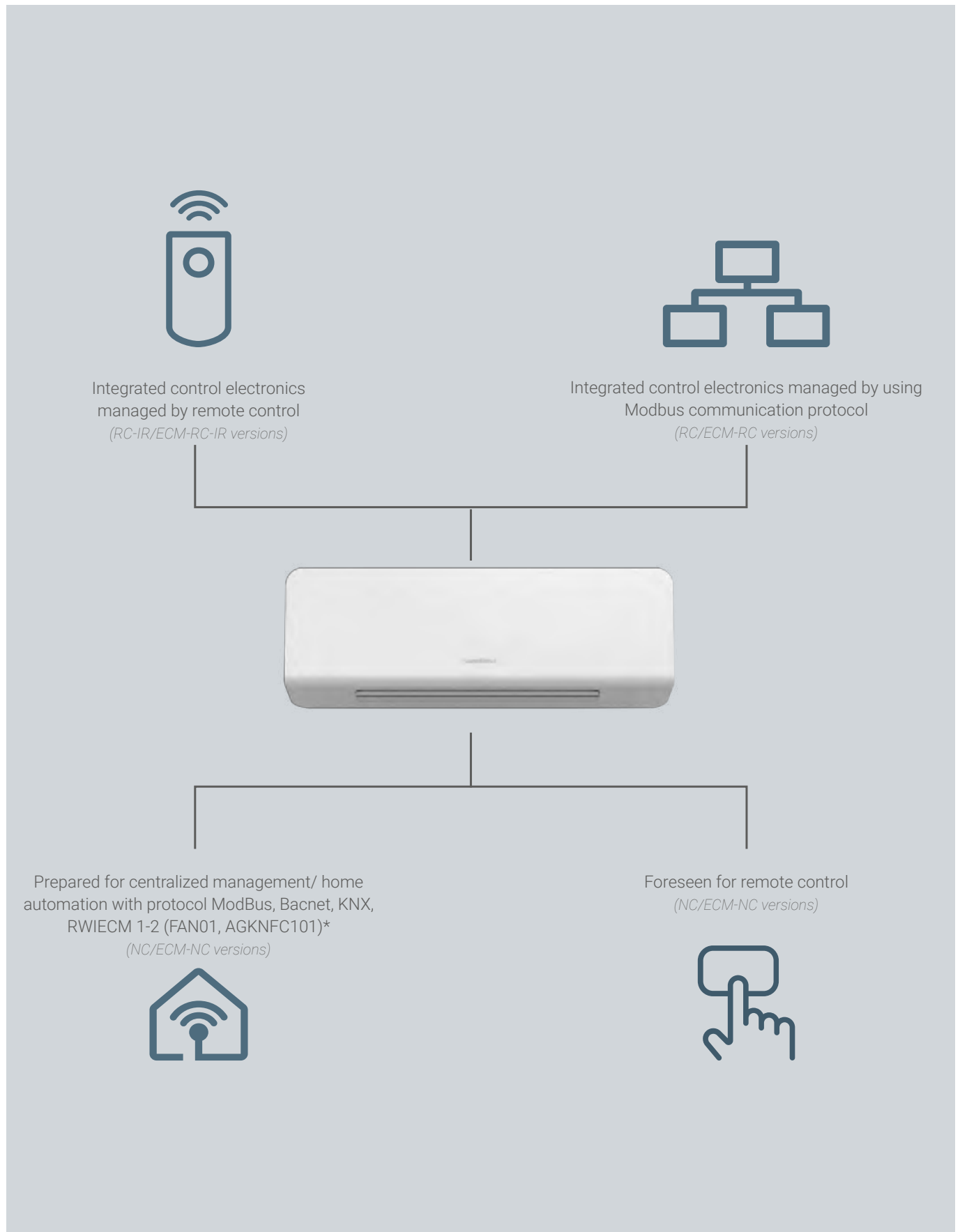
- > Motorized louvers
- > Mother board
- > 3-Way valve

RC-IR-3V



- > Motorized louvers
- > Mother board
- > Infrared remote control + receiver
- > 3-Way valve

Connections



Born from Ventilclima research and reliability, Galileo is the new wall mounted fan coil unit entirely developed and entirely manufactured in Italy.

The series provides high performances, perfect environment, energy efficiency, low noise operation and a stylish design.

The reduced thickness of only 185mm and the masterful combination of materials as steel for frontal casing, ensure solid construction with great flexibility and customization options, together with a perfect linearity of the shapes.

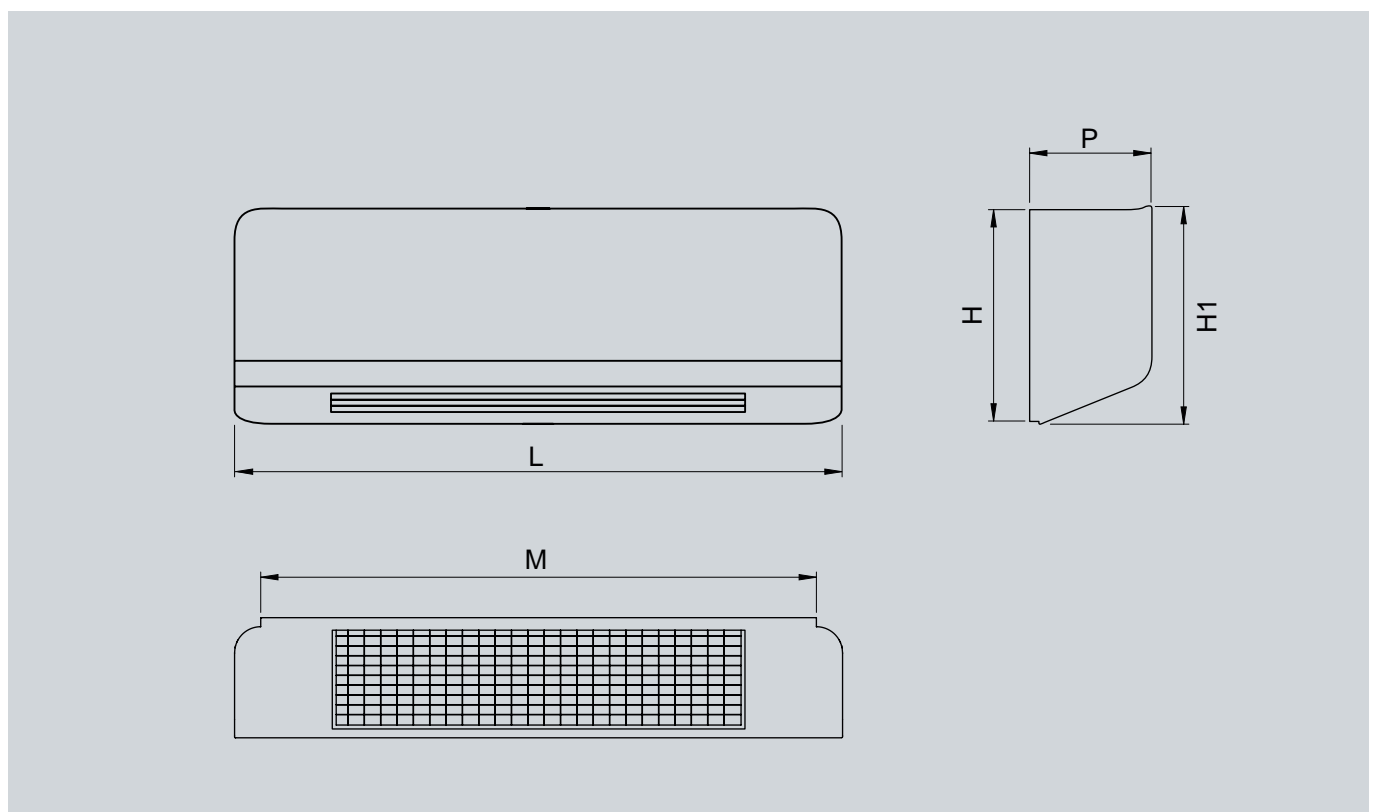
The technical features facilitate installation and maintenance operations.

As an alternative to the remote-controller supplied in the standard version, it is possible to manage the unit through a proportional signal obtained from a wall controller or from external BMS system, with optional protocol to choose between Modbus, Bacnet or KNX.

Ventilclima, always offering flexibility and Plug&Play products, has equipped the series with a wide range of accessories that can be installed directly in the factory, including the condensate drain pump, two or three-way control valves and pressure independent valves.



Galileo is developed in two-dimensions, with a range of 4 models having duty from 1.3 to 3.8 kW in cooling and from 1.5 to 4.3 kW in heating, also available with low consumption ECM Brushless motors.

			1	2	3	4
Length	mm	L	930	930	1235	1235
	mm	M	850	850	1155	1155
Height	mm	H	323	323	323	323
	mm	H1	333	333	333	333
Depth	mm	P	185	185	185	185



Performance technical data

16


			1	2	3	4
 7/12°C 27°C d.b. 19°C w.b.	Potenza frigorifera totale Total cooling capacity Puissance frigorifique totale Kälteleistung gesamt Potencia frigorífica total	W 6	2300	2520	3510	3800
		W 5	2130	2350	3090	3410
		W 4	2040	2270	2910	3250
		W 3	1870	2080	2560	2920
		W 2	1730	1940	2310	2640
		W 1	1340	1510	1780	1940
	Potenza frigorifera sensibile Sensible cooling capacity Puissance frigorifique sensible Sensible Kälteleistung Potencia frigorífica total sensible	W 6	1860	2020	2760	3000
		W 5	1710	1860	2400	2560
		W 4	1630	1780	2250	2410
		W 3	1480	1620	1960	2150
		W 2	1350	1490	1750	1930
		W 1	980	1140	1290	1390
	Portata acqua Water flow Débit d'eau Wassermenge Flujo de agua	l/h 6	396	433	604	654
		l/h 5	366	404	531	587
		l/h 4	351	390	501	559
		l/h 3	322	358	440	502
		l/h 2	298	334	397	454
		l/h 1	230	260	306	334
	Perdite di carico lato acqua Water pressure drop Pertes charge côté eau Wasserseitiger Druckverlust Caídas de presión lado agua	kPa 6	11,2	25,5	36,9	55,1
		kPa 5	9,7	23,7	28,3	45,5
kPa 4		9,1	22,6	25,4	43,4	
kPa 3		7,4	19,4	21,0	35,1	
kPa 2		6,4	17,4	16,8	29,3	
kPa 1		3,4	11,5	10,6	16,9	
 45/40°C 20°C	Potenza termica Heating capacity Puissance thermique Heizleistung Energía térmica	W 6	2640	2820	3870	4290
		W 5	2420	2600	3480	3790
		W 4	2310	2490	3270	3570
		W 3	2100	2290	2750	3140
		W 2	1940	2120	2470	2810
		W 1	1480	1610	1810	2080
	Portata acqua Water flow Débit d'eau Wassermenge Flujo de agua	l/h 6	454	485	666	738
		l/h 5	416	447	599	652
		l/h 4	397	428	562	614
		l/h 3	361	394	473	540
Perdite di carico lato acqua Water pressure drop Pertes charge côté eau Wasserseitiger Druckverlust Caídas de presión lado agua	l/h 2	334	365	425	483	
	l/h 1	255	277	311	358	
	kPa 6	15,6	27,1	41,1	56,8	
	kPa 5	13,4	23,4	31,2	47,1	
	kPa 4	12,4	20,0	27,3	41,8	
	kPa 3	10,5	18,3	19,7	35,1	
Portata aria Air flow Débit d'air Luftstrom Flujo de aire	m³/h 6	586	554	797	778	
	m³/h 5	500	486	639	659	
	m³/h 4	464	462	576	598	
	m³/h 3	398	406	476	502	
	m³/h 2	356	367	417	448	
	m³/h 1	252	262	294	302	
	Livello di potenza sonora Sound power level Niveau de puissance sonore Schall-Leistungspegel Nivel de potencia acústica	dB(A) 6	53	54	54	55
dB(A) 5		50	52	49	52	
dB(A) 4		49	51	46	50	
dB(A) 3		45	49	42	47	
dB(A) 2		42	47	39	45	
dB(A) 1		34	40	31	37	
Livello di pressione sonora Sound pressure level Niveau de pression sonore Schall-Druckpegel Nivel de presión sonora	dB(A) 6	45	45	45	46	
	dB(A) 5	42	43	40	43	
	dB(A) 4	40	42	37	41	
	dB(A) 3	36	40	33	38	
	dB(A) 2	34	38	30	36	
	dB(A) 1	25	31	22	29	
Contenuto d'acqua Water content Quantité d'eau Wasserinhalt Contenidos de agua	L	0.8	1.1	1.25	1.6	

- **Unità standard a bocca libera:** pressione statica esterna = 0 Pa / Il test per la rilevazione del livello di potenza sonora è stato eseguito in accordo con la **normativa EN 16583:2015 / Livello di pressione sonora:** considerata 8,6 dB(A) inferiore rispetto alla potenza sonora in una stanza di 90 m³ con un tempo di riverbero di 0,5 sec. / **Valori tensione ammissibile:** ~230V / 1ph / 50Hz
 - **Standard unit with free outlet:** external static pressure = 0 Pa / The sound power level test has been performed **according to EN 16583:2015 standard / Sound pressure level:** 8,6 dB(A) lower that the sound power level for a room of 90 m³ with a reverberation time of 0,5 sec. / **Supported power supply:** ~230V / 1ph / 50Hz
 - **Unité standard avec sortie libre:** pression statique externe = 0 Pa / Le test de détection du niveau de puissance acoustique a été réalisé conformément à la norme EN 16583: 2015 / **Niveau de pression sonore:** considéré de 8,6 dB(A) plus faible que le niveau de puissance acoustique d'une pièce de 90 m³, avec un temps de réverbération de 0,5 sec. / **Valeurs de tension admissibles:** ~230V / 1ph / 50Hz
 - **Standard Einheit mit offenem Auslass:** externer statischer Druck = 0 Pa / Der Test zur Erfassung des Schalleistungspegels wurde gemäß der Norm EN 16583: 2015 durchgeführt / **Schall-Druckpegel:** Schall-Druckpegel: 8,6 dB (A) unter dem Schalldruck in einem Raum von 90 m³ mit einer Nachhallzeit von 0,5 s. / **Unterstützte Stromversorgung:** ~230V / 1ph / 50Hz
 - **Unidad estándar con salida libre:** presión estática externa = 0 Pa / La prueba de nivel acústico se realizó de acuerdo con la **norma EN 16583:2015 / Nivel de presión sonora:** se considera 8,6 dB (A) inferior a la potencia acústica en una sala de 90 m³ con un tiempo de reverberación de 0,5 seg. / **Valores de voltaje admisibles:** ~230V / 1ph / 50Hz

velocità cablate / wired speed / vitesse câblée / verkabelte Geschwindigkeitsstufe / velocidades cableadas

Motore asincrono - Asynchronous motor Moteur asynchrone - Asynchronmotor - Motor asíncrono			1	2	3	4
Potenza assorbita dal motore del ventilatore Motor fan absorbed power Puissance absorbée par le moteur de ventilateur Vom Lüftermotor aufgenommene Leistung Potencia absorbida por el motor del ventilador	W	6	41	42	45	46
	W	5	26	27	30	30
	W	4	23	24	27	27
	W	3	20	21	22	23
	W	2	18	18	19	20
	W	1	13	13	13	14
Tensione di alimentazione Power supply Tension d'alimentation Stromversorgung Tensión de alimentación			~ 230V / 1ph / 50-60Hz			

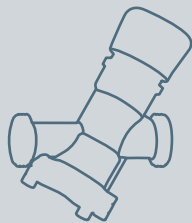
velocità cablate / wired speed / vitesse câblée / verkabelte Geschwindigkeitsstufe / velocidades cableadas

 Motore ECM - ECM motor Moteur ECM - ECM-Motor - Motor ECM			1	2	3	4
Potenza assorbita dal motore del ventilatore Motor fan absorbed power Puissance absorbée par le moteur de ventilateur Vom Lüftermotor aufgenommene Leistung Potencia absorbida por el motor del ventilador	W	6	21	21	25	25
	W	5	16	16	16	17
	W	4	14	14	13	15
	W	3	10	12	9	11
	W	2	9	10	8	9
	W	1	6	7	5	6
Tensione di controllo velocità (Vcc) Speed control voltage (Vdc) Tension de contrôle de vitesse (Vcc) Drehzahlregelspannung (Vcc) Voltaje de control de velocidad (Vcc)	V	6	9,8	10,0	9,0	9,2
	V	5	8,3	8,6	6,6	7,3
	V	4	7,6	7,9	5,6	6,4
	V	3	6,2	6,7	4,0	5,0
	V	2	5,3	5,7	3,2	4,1
	V	1	3,0	3,4	1,3	2,2
Tensione di alimentazione Power supply Tension d'alimentation Stromversorgung Tensión de alimentación			~ 230V / 1ph / 50-60Hz			

velocità cablate / wired speed / vitesse câblée / verkabelte Geschwindigkeitsstufe / velocidades cableadas

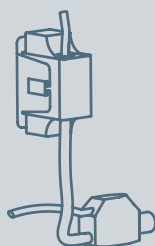
Limiti di funzionamento Working limits	1 - 2 - 3 - 4
Temperatura aria interna / Indoor air temperature	min. 15 °C - max 30 °C
Umidità aria interna / Indoor humidity	max 63 %
Massima pressione di esercizio acqua / Max water pressure	8 Bar
Massima temperatura esercizio acqua / Max inlet water temperature	70 °C
Minima temperatura esercizio acqua / Min inlet water temperature	6 °C
Minima temperatura uscita acqua di alimentazione / Minimum temperature water outlet	11 °C

- **Riscaldamento:** Per evitare fenomeni di stratificazione dell'aria ambiente, si consiglia di non alimentare l'unità con una temperatura acqua superiore ai 65°C.
- **Raffreddamento:** In ambienti con elevata umidità relativa, si potrebbero formare fenomeni di condensa sull'esterno dell'apparecchio e sulla mandata dell'aria. Tali fenomeni possono danneggiare gli oggetti sottostanti ed il pavimento; per evitarli si consiglia sempre l'installazione della valvola e, con ventilatore in funzionamento, di rispettare i limiti di minima e media temperatura di alimentazione indicati (valori riferiti alla minima velocità cablata).
- **Heating:** To avoid stratification of the ambient air, it is recommended not to supply the unit with a water temperature above 65 °C.
- **Cooling:** In environments with high relative humidity, condensation may form on the outside of the unit and on the air delivery. These phenomena can damage the underlying objects and the floor; to avoid them, it is always recommended to install the valve and, with the fan in operation, to respect the minimum and medium supply temperature limits indicated (values referring to the minimum wired speed).



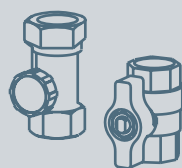
2 or 3-way control valves and pressure independent valves

The valves can be supplied directly installed on board, even in case of "pressure independent," type. This version ensures constant flow rate when the pressure is changeable and regulates the flow according to the temperature. The system will be balanced and will grant a high efficiency.

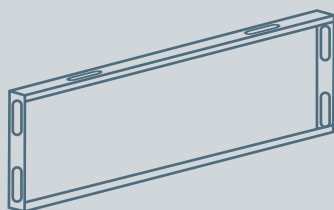


Condensate pump

Condensate pump with float and alarm switch.
It can also be supplied already installed.



Valve Accessories



Pre-installation box

Recessed steel box in case hydraulic connections are required on right side (Units supplied with left side hydraulic connection only)



WHITE

Frontal casing in steel and side panels in ABS, opaque white.



BLACK

Frontal casing in steel and side panels in ABS, opaque black.



GREY

Frontal casing in steel and side panels in ABS, opaque grey.



CUSTOM

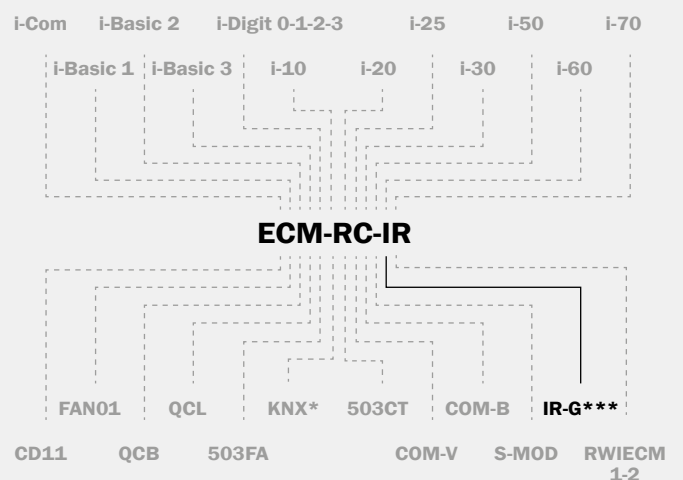
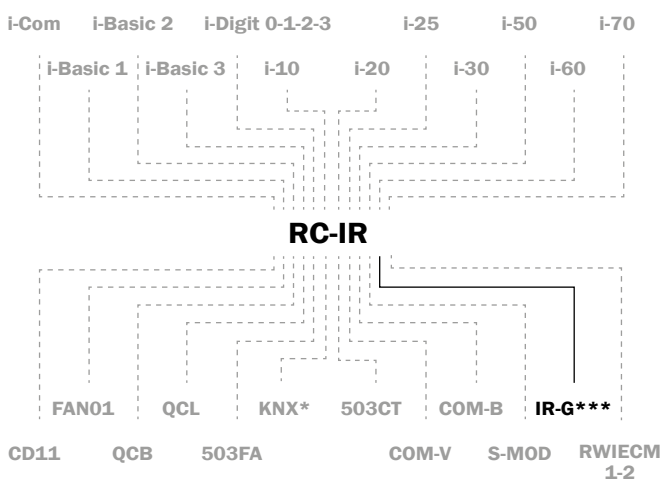
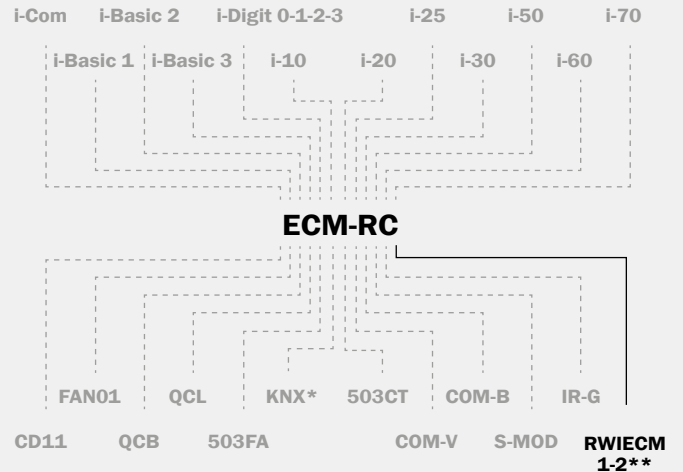
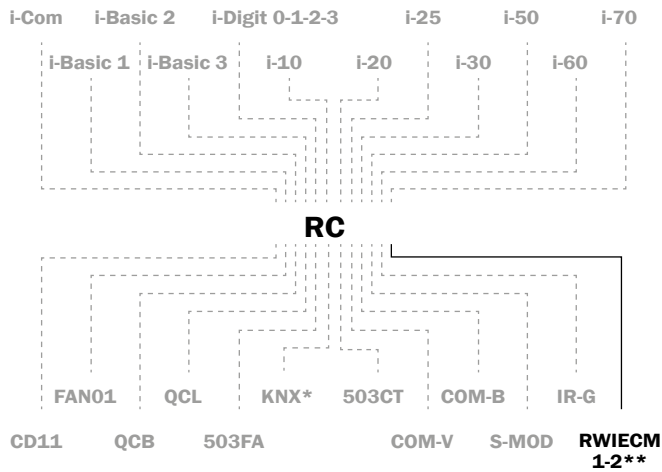
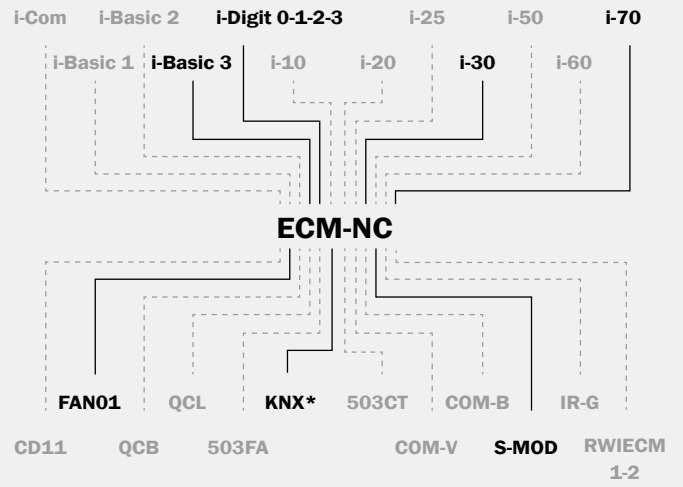
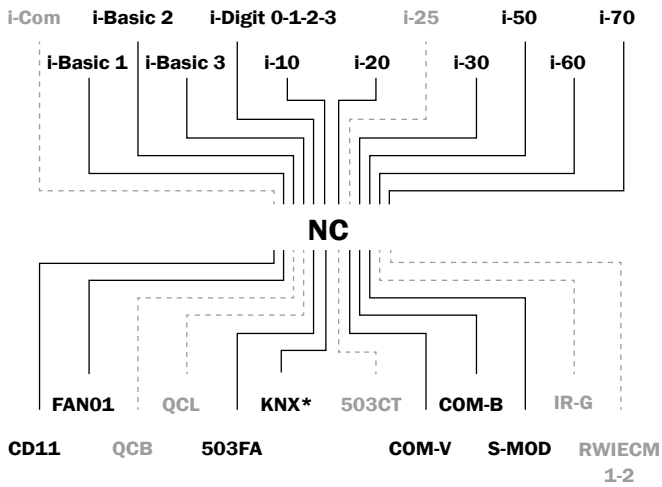
Special colors and finishes on specific customer's request.

Compatibility controllers

20

LEGENDA

503FA	<ul style="list-style-type: none"> - Termostato elettronico con display LCD - Electronic thermostat with LCD display - Thermostat électronique avec écran LCD - Elektronisches Thermostat mit LCD-Display - Termostato electrónico con pantalla LCD 	i-Basic 3	<ul style="list-style-type: none"> - Termostato elettronico analogico con programmazione semplificata a DIP-SWITCH - Analog electronic thermostat with simplified DIP-SWITCH programming - Thermostat électronique analogique avec programmation simplifiée à DIP-SWITCH - Analoger elektronischer Thermostat mit vereinfachter DIP-Schalter Programmierung - Termostato electrónico analógico con programación simplificada DIP-SWITCH
AGKNFC101 (KNX)	<ul style="list-style-type: none"> - Regolatore per fan coil con protocollo KNX - KNX fan coil controller 	i-Com	<ul style="list-style-type: none"> - Comando senza regolazione di temperatura - Base switch without temperature control - Commande sans réglage de température - Regler für Geräte für 2-Leiter oder 4-Leiter-System ohne Temperaturregelung - Control sin regulación de temperatura
CD11	<ul style="list-style-type: none"> - Comando senza regolazione di temperatura - Control without temperature control - Commande sans réglage de température - Steuerung ohne Temperaturregelung - Control sin regulación de temperatura 	i-Digit 0-1-2-3	<ul style="list-style-type: none"> - Termostato elettronico programmabile con display LCD - Programmable electronic thermostat with LCD display - Thermostat électronique programmable avec écran LCD - Elektronischer Thermostat für Gebläsekonvektoren mit 2-Leiter oder 4-Leiter-System, mit LCD-Display - Termostato electrónico programable con pantalla LCD
COM-B	<ul style="list-style-type: none"> - Commutatore 3 velocità con selettore rotativo BTicino - BTicino rotary selector switch - Commutateur 3 vitesses avec sélecteur rotatif BTicino - Umschalter der 3 Geschwindigkeitsstufen mittels Wahlschalter BTicino - Conmutador de 3 velocidades con selector giratorio b-Ticino 	IR-C	<ul style="list-style-type: none"> - Telecomando a raggi infrarossi (per cassette e sistemi TRI/F1 2.0 + S-MOD) - Infrared remote control (for cassette and TRI/F1 2.0 + S-MOD systems) - Télécommande à infrarouges (pour cassette et TRI/F1 2.0 + S-MOD systèmes) - Infrarot-Fernbedienung (für Kassettengeräte und TRI/F1 2.0 + S-MOD Systeme) - Control remoto IR (para fancoil de tipo cassette e sistemas TRI/F1 2.0 + S-MOD)
COM-V	<ul style="list-style-type: none"> - Commutatore 3 velocità con selettore a slitta Vimar - Vimar 3-speed slide selector - Commutateur 3 vitesses avec sélecteur à glissière Vimar - Umschalter der 3 Geschwindigkeitsstufen mittels Schiebeschalter Vimar - Conmutador de 3 velocidades con selector deslizante Vimar 	IR-T	<ul style="list-style-type: none"> - Telecomando a raggi infrarossi (per unità a parete) - Infrared remote control (for wall unit) - Télécommande à infrarouges (pour unité murale) - Infrarot-Fernbedienung für wandmontierte Geräte - Control remoto IR (para unidad de pared)
FAN01	<ul style="list-style-type: none"> - Regolatore per fan coil configurabile con protocollo di comunicazione BACnet - Configurable fan coil controller with BACnet communication protocol - Régulateur pour ventilconvecteur configurable avec protocole de communication BACnet - Regler für Gebläsekonvektor konfigurierbar über Kommunikationsprotokoll BACnet - Controlador fancoil configurable con protocolo de comunicación BACnet 	QCB	<ul style="list-style-type: none"> - Quadro comando base - Base control panel - Panneau de contrôle base - Basisbediengerät - Panel de control base
i-10	<ul style="list-style-type: none"> - Termostato elettronico analogico base (unità a 2 e 4 tubi) - Analog electronic thermostat (2 and 4 pipe units) - Thermostat électronique analogique base (unité à 2 et 4 tubes) - Analoger elektronischer Basisthermostat für Geräte mit 2-Leiter- oder 4-Leiter-System - Termostato electrónico analógico base (unidades de 2 y 4 tubos) 	QCL	<ul style="list-style-type: none"> - Quadro comando base in lamiera - Sheet base control panel - Panneau de contrôle base en tôle - Basissbediengerät aus Metall - Panel de control base en chapa
i-20	<ul style="list-style-type: none"> - Termostato elettronico analogico (unità a 2 tubi) - Analog electronic thermostat (2 pipe units) - Thermostat électronique analogique (unité à 2 tubes) - Analoger elektronischer Thermostat für Geräte mit 2-Leiter-System - Termostato electrónico analógico (unidad de 2 tubos) 	QEL	<ul style="list-style-type: none"> - Quadro comando base in lamiera - Sheet base control panel - Panneau de contrôle base en tôle - Basisbediengerät aus Metall - Panel de control base en chapa
i-25	<ul style="list-style-type: none"> - Termostato elettronico analogico (unità a 4 tubi) - Analog electronic thermostat (4 pipe units) - Thermostat électronique analogique (unité à 4 tubes) - Analoger elektronischer Thermostat für Geräte mit 4-Leiter-System - Termostato electrónico analógico (unidad de 4 tubos) 	QTE	<ul style="list-style-type: none"> - Quadro comando base con termostato ambiente elettronico - Base control panel with electronic room thermostat - Panneau de contrôle base avec thermostat ambient électronique - Basisbediengerät mit elektronischem Raumthermostat - Panel de control base con termostato ambiente electrónico
i-30	<ul style="list-style-type: none"> - Termostato elettronico programmabile con display LCD - Programmable electronic thermostat with LCD display - Thermostat électronique programmable avec écran LCD - Programmierbarer elektronischer Thermostat für Gebläsekonvektoren mit 2/4-Leiter-System, mit LCD-Display - Termostato electrónico programable con pantalla LCD 	QTM	<ul style="list-style-type: none"> - Quadro comando base con termostato ambiente elettromeccanico (a bulbo) - Base control panel with room electromechanical temperature bulb thermostat - Panneau de contrôle base avec thermostat ambient électromécanique (à bulbe) - Basisschalttafel mit elektromechanischem Raumtempertur-Thermostat (mit Stabfühler) - Panel de control base con termostato ambiente electromecánico (a bulbo)
i-50	<ul style="list-style-type: none"> - Termostato elettronico programmabile con display LCD - Programmable electronic thermostat with LCD display - Thermostat électronique programmable avec écran LCD - Programmierbarer elektronischer Thermostat für Gebläsekonvektoren mit 2/4-Leiter-System, mit LCD-Display - Termostato electrónico programable con pantalla LCD 	RWIECM 1-2	<ul style="list-style-type: none"> - Interfaccia utente a parete - Wall user interface - Interface utilisateur mural - Wandmontiertes Bediengerät - Interfaz de usuario de pared
i-60	<ul style="list-style-type: none"> - Termostato elettronico touch con connessione WiFi per gestione remota - Touch fan coil thermostat with WiFi connection - Thermostat électronique tactile avec connexion WiFi pour gestion à distance - Elektronischer Touch-Thermostat mit WiFi-Anbindung für Fernüberwachung - Termostato electrónico Touch con conexión WiFi para gestión remota 	S-MOD	<ul style="list-style-type: none"> - Sistema di supervisione - Supervision system - Système de supervision - Überwachungssystem - Sistema de supervisión
i-70	<ul style="list-style-type: none"> - Termostato elettronico touch configurabile, con protocollo di comunicazione Modbus/BACnet (unità a 2 e 4 tubi) - Touch programmable electronic thermostat with Modbus/BACnet protocol communication (unit 2 and 4 pipe system) - Thermostat électronique tactile configurable, avec protocole de communication Modbus/BACnet (unité à 2 et 4 tubes) - Konfigurierbarer elektronischer Touch-Thermostat, mit Modbus/BACnet-Kommunikation mit 2/4-Leiter-System - Termostato electrónico Touch configurable, con protocolo de comunicación Modbus / Bacnet (unidades de 2 y 4 tubos) 	IR-G	<ul style="list-style-type: none"> - Controllo con telecomando IR o interfaccia a muro con protocollo di comunicazione Modbus - Infrared remote controller or wall controller with Modbus communication protocol - Contrôle avec télécommande IR ou interface mural avec protocole de communication Modbus - Steuerung mittels Infrarot-Fernbedienung oder wandmontiertes Bedienfeld mit Modbus-Kommunikationsprotokoll - Control con mando IR o interfaz de pared con protocolo de comunicación Modbus
i-Basic 1	<ul style="list-style-type: none"> - Termostato elettronico analogico base - Analog base electronic thermostat - Thermostat électronique analogique base - Analoger elektronischer Basisthermostat für Geräte mit 2-Leiter oder 4-Leiter-System - Termostato electrónico analógico base 		
i-Basic 2	<ul style="list-style-type: none"> - Termostato elettronico analogico - Analog electronic thermostat - Thermostat électronique analogique - Analoger elektronischer Thermostat für Geräte mit 2-Leiter oder 4-Leiter-System - Termostato electrónico analógico 		



———— Compatible
Compatible
Kompatibel
Kompatibel

----- Non compatible
Not compatible
Non compatible
Nicht kompatibel
NO compatible

* KNX = AGKNFC101

** Non incluso
Not included
Non inclus
Nicht enthalten
No incluido

*** Incluso versione RC-IR/ECM-RC-IR
Included RC-IR/ECM-RC-IR versions
Version RC-IR/ECM-RC-IR incluse
RC-IR/ECM-RC-IR Version enthalten
Versión RC-IR/ECM-RC-IR incluida

Controller functions

22

COMPATIBILITÀ - COMPATIBILITY - COMPATIBILITÉ - KOMPATIBILITÄT - COMPATIBILIDAD

Installazione a parete da esterno - Wall mounting - Installation murale - Wandmontage - Instalación a pared

Installazione a bordo unità - On board unit installation - Installation embarquée - Installation auf dem Gerät - Instalación al bordo de la unidad

Installazione a parete da incasso - Wall flush-mounting - Installation à encaissement - Wandeinbau - Instalación empotrada

REGOLATORI - CONTROLLERS - RÉGULATEURS - REGLER - REGULADORES

UTILIZZO - USE - UTILISATION - VERWENDUNG - USO

Impianto a 2 tubi - 2 pipe system - Système à 2 tubes - Anlage mit 2 Leiter-System - Sistema de 2 tubos

Impianto a 4 tubi - 4 pipe system - Système à 4 tubes - Anlage mit 4 Leiter-System - Sistema de 4 tubos

CONTROLLI E DISPLAY - CONTROLS & DISPLAY - CONTRÔLES ET ÉCRAN - STEUERUNGEN UND DISPLAY - CONTROLES Y PANTALLAS

Display - Display - Écran - Display - Monitor

Acceso/Spento - On/Off - Allumé/Éteint - Eingeschaltet/Ausgeschaltet - Encendido /Apagado

Caldo/Freddo - Heat/Cool - Chaud/Froid - Heizen/Kühlen - Frío /Caliente

3 velocità ventilatore - 3 fan speed - 3 vitesses ventilateur - 3 Gebläsegeschwindigkeiten - 3 velocidades de ventilador

Regolazione temperatura - Set point range - Réglage température - Temperaturregelung - Regulación de la temperatura

COMMUTAZIONE - CHANGEOVER - COMMUTATION - UMSCHALTUNG - TRASPUESTA

Velocità automatica - Automatic speed control - Vitesse automatique - Automatische Geschwindigkeitseinstellung - Velocidad automática

Caldo/freddo centralizzata - Central season changeover - Chaud/froid centralisé - Heizen/Kühlen Umschaltung - Cambio Verano / Invierno centralizado

Caldo/freddo automatico (impianto 2 tubi) - Automatic season changeover (2 pipe system) - Chaud/froid automatique (système à 2 tubes)

Heizen/Kühlen Umschaltung automatisch (Anlage mit 2 Leitersystem) - Cambio automático Verano / Invierno (sistema de 2 tubos)

Caldo/freddo automatico con zona neutra (imp. 4 tubi) - Automatic season changeover with neutral zone (4 pipe syst.) - Chaud/froid automatique avec zone neutre (syst. à 4 tubes) - Heizen/Kühlen Umschaltung automatisch mit neutralem Bereich (Anlage mit 4 Leiter-System) - Cambio automático Verano/Invierno con zona neutra (sist. de 4 tubos)

INGRESSI - INPUTS - ENTRÉES - EINGÄNGE - ENTRADAS

Sonda aria remota - Remote air intake sensor - Capteur air à distance - Lufteintrittsfühler - Sonda de aire remota

Sonda acqua - Water sensor - Capteur eau - Wassertemperaturfühler - Sonda de agua

[TC/TC-B] Termostato di consenso - Low temperature thermostat - Thermostat d'autorisation - Freigabethermostat - Termostato de mínima

Contatto finestra - Windows contact - Contact fenêtre - Fensterkontakt - Contacto de ventana

USCITE - OUTPUTS - SORTIES - AUSGÄNGE - SALIDAS

Valvole On/Off - On/Off valves - Vannes On/Off - Ein-Aus-Ventil - Válvulas On/Off

Valvole 3 punti (PWM) - Floating valves (PWM) - Vannes 3 points (PWM) - 3-Punkt-Ventil (PWM) - Válvulas de 3 puntos (PWM)

Valvole 0-10V - 0-10V proportional valves - Vannes 0-10V - Ventile 0-10 V - Válvulas 0-10V

FUNZIONI SPECIALI - SPECIAL FUNCTIONS - FONCTION SPÉCIALES - SONDERFUNKTIONEN - FUNCIONES ESPECIALES

Ventilatore termostato - Fan thermostat controlled - Ventilateur thermostaté - Thermostatgesteuerter Ventilator - Ventilador termostático

Comando resistenza elettrica - Electric heater control - Commande résistance électrique - Steuerung Elektroheizregister - Control de resistencia eléctrica

Funzione economy - Economy function - Fonction economy - Economy-Funktion - Función Economy

Funzione solo ventilazione - Fan function - Fonction uniquement ventilation - Nur Ventilatorbetrieb - Función sólo ventilador

Timer giornaliero - Daily timer - Minuterie quotidienne - Tagerstimer - Temporizador diario

Funzione antistratificazione - Air recirculation function - Fonction anti-stratification - Funktion zum Schutz gegen Schichtbildung - Función anti-estratificación

Funzione Master/Slave - Master/Slave function - Fonction Master/Slave - Master/Slave Funktion - Función Master/Slave

Ventilatore modulante - Modulating fan - Ventilateur modulant - Modulierender Ventilator - Ventilador modulante

Programmazione settimanale - Weekly timetable - Programmation hebdomadaire - Wochenprogrammierung - Programación semanal

[Modbus] Protocollo di comunicazione - Communication protocol - Protocole de communication - Kommunikationsprotokoll - Protocolo de comunicación


[BACnet] Protocollo di comunicazione - Communication protocol - Protocole de communication - Kommunikationsprotokoll - Protocolo de comunicación

[KNX / AGKNFC101] Protocollo di comunicazione - Communication protocol - Protocole de communication - Kommunikationsprotokoll - Protocolo de comunicación

Controllo umidità - Humidity control - Contrôle de l'humidité - Feuchtigkeitsregelung - Control humedad



Ventilclima is a Trademark of:

A GROUP S.p.A. - Via Monte Grappa, 67
31020 San Zenone degli Ezzelini (TV) - ITALY
Tel. +39 0423 969037 - Fax +39 0423 968197
 www.ventilclima.com - info@ventilclima.com